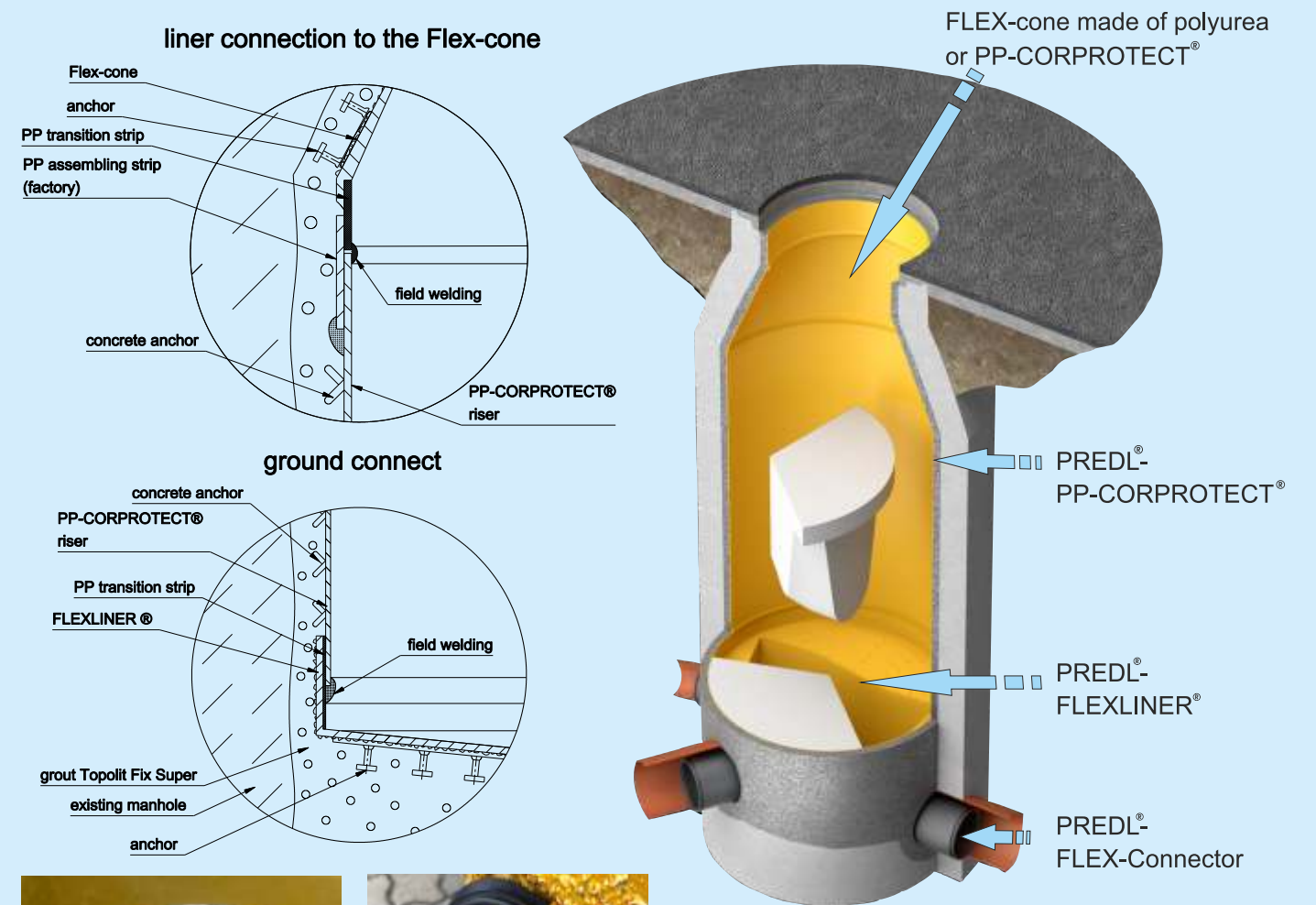




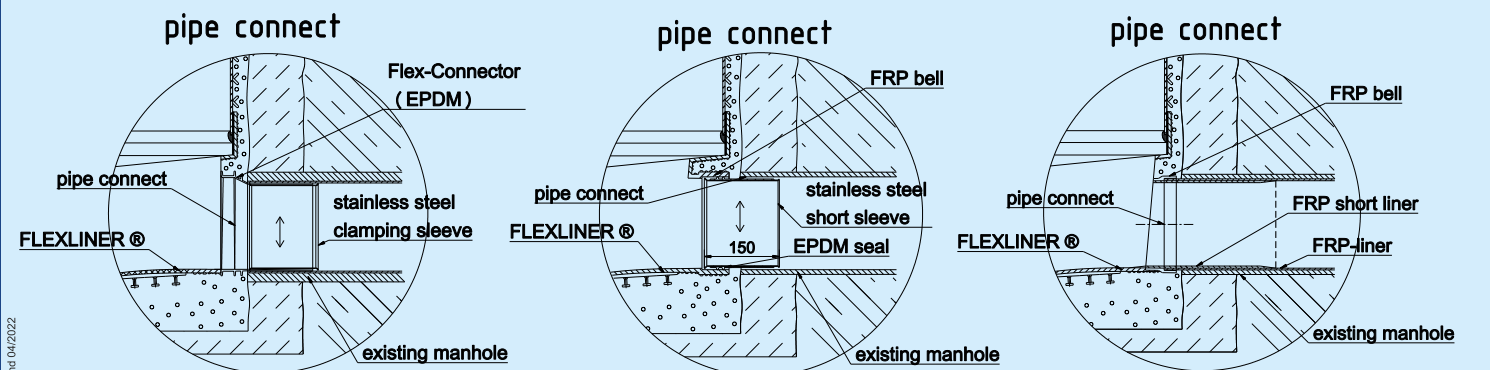
FULLY LINED MANHOLE

FULLY LINED MANHOLE FLEXLINER® - PP-CORPROTECT® - FLEX-KONUS

Incorporated transition strips on PP/PE or FRP on the FLEXLINER allow vertical continuation of the rehabilitation with PP-CORPROTECT lining as well as with FRP materials.



Different connection options to the existing pipe can be used e.g. :
FLEX-Connector with stainless steel clamping collar
FRP joint for liner sleeve or
FRP joint for short liner

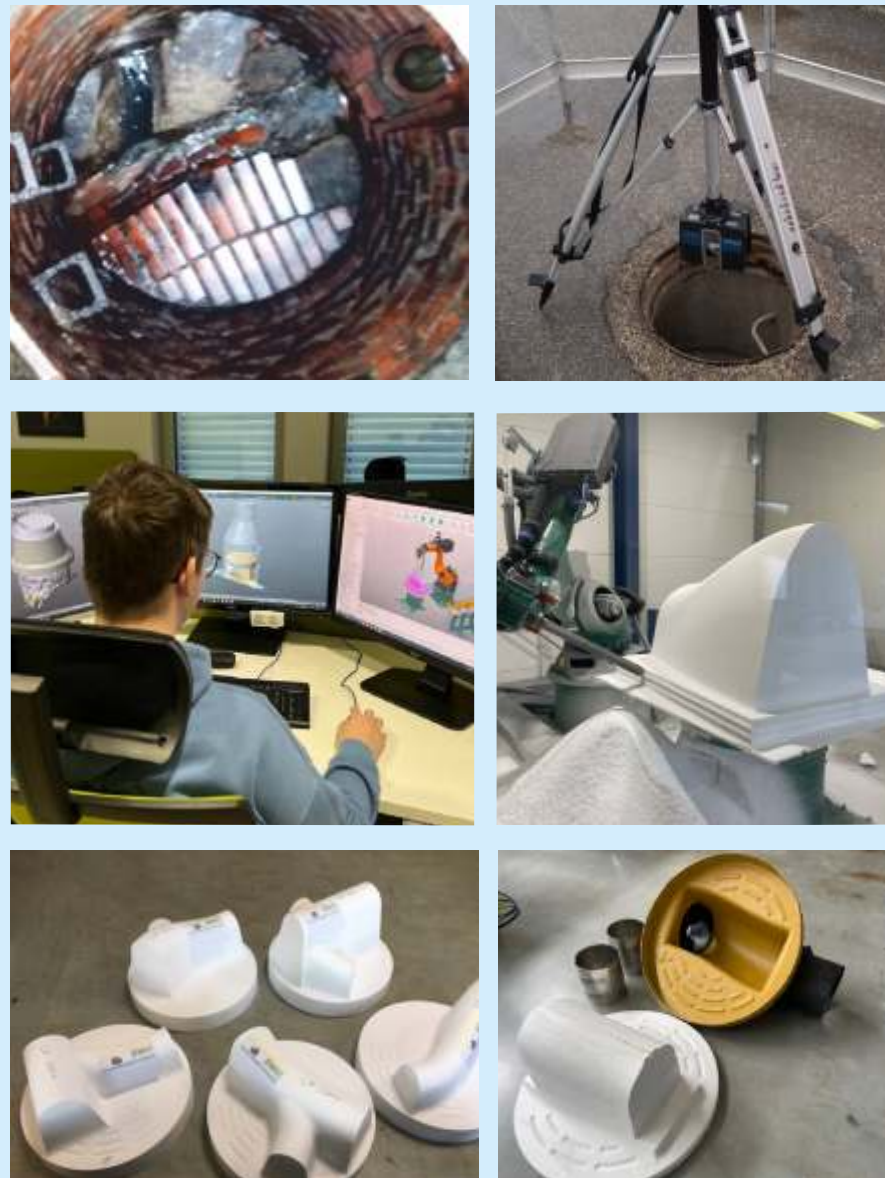


Environmentally friendly trenchless manhole rehabilitation is possible with the PREDL® FLEXLINER® within the fastest time. For insertion through the cone into the manhole, the FLEXLINER® is folded up undivided and without destruction and unfolded again to its original size in the manhole.

By using the FLEXLINER® rehabilitation method and modern 3D laser scanning manhole data acquisition, an optimal preparation of the rehabilitation work and a significant reduction of the rehabilitation effort on site is possible:

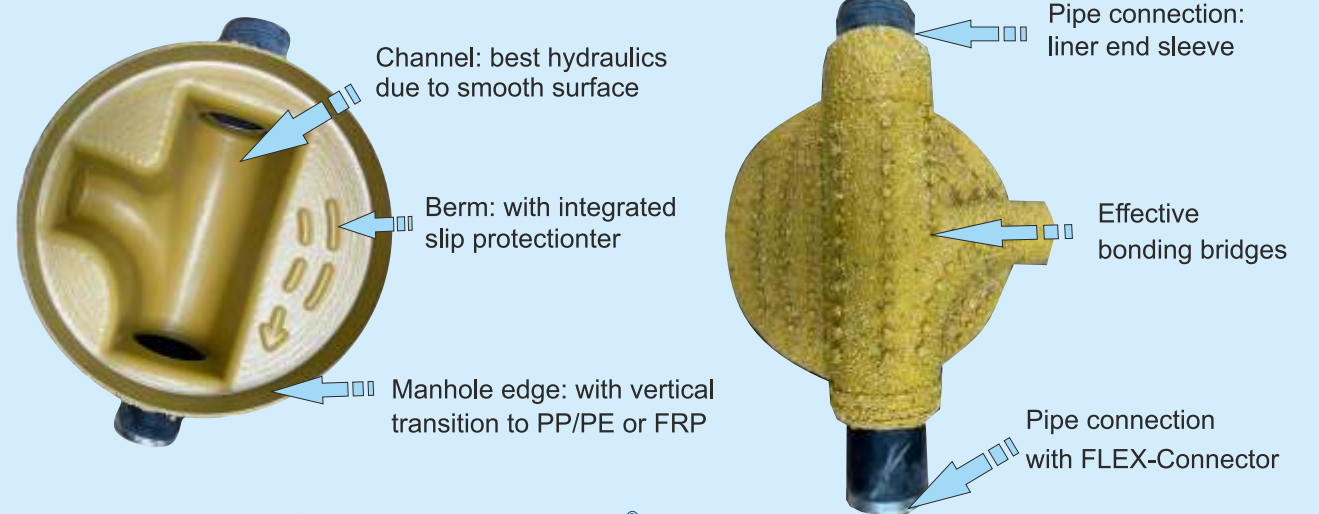
- a dimensionally accurate digital copy of the old manhole by 3D laser scan
- Based on the laser scan data, a hydraulically optimized solution for channel routing and sustainable rehabilitation of the rising shaft structure is worked out
- conclusive and permanent bonding with the concrete by means of bonding bridges
- The installation of FLEXLINER® and PP-CORPROTECT® results in a durable, high-quality rehabilitation.

Old manhole digitization and modeling



Technical features

Material: Polyurea



Installation of the FLEXLINER®

