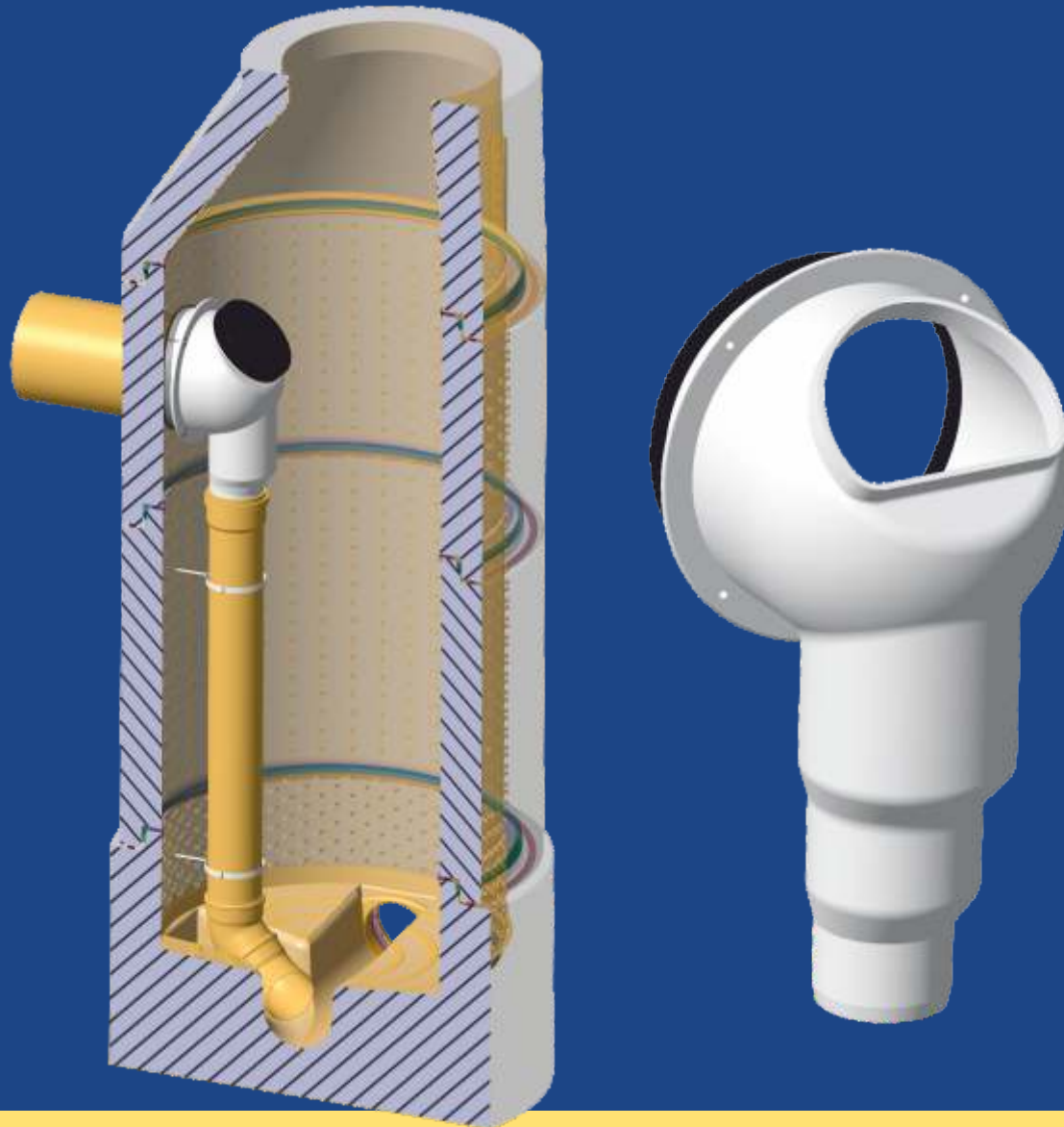
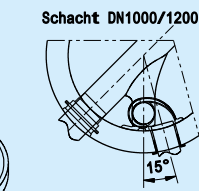
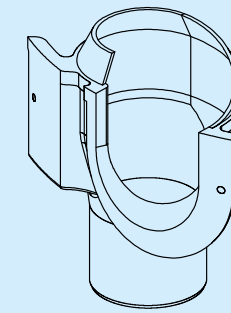
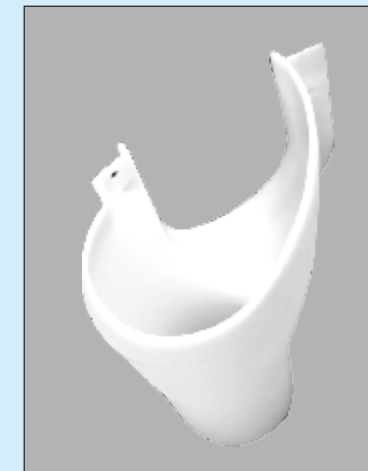


PREDL MOULDED PARTS FOR DROP STRUCTURES

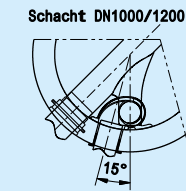


MOULDED PARTS

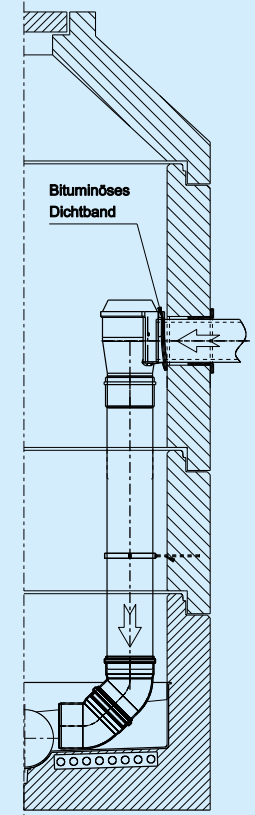
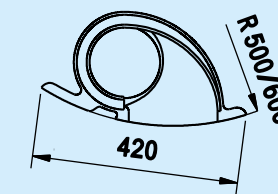
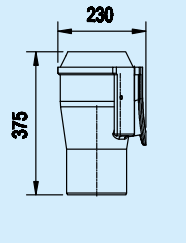
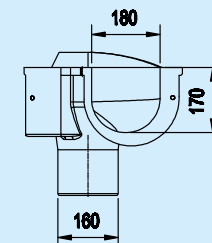
IPK FOR INSIDE BACKDROP



IPK 150 - RE
Zulauf
rechts vom Absturzrohr



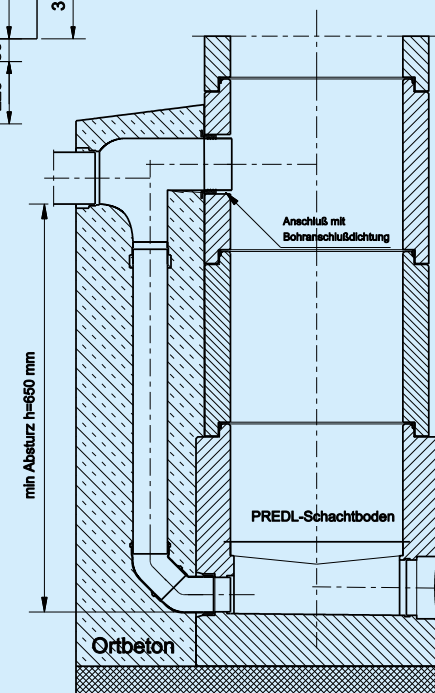
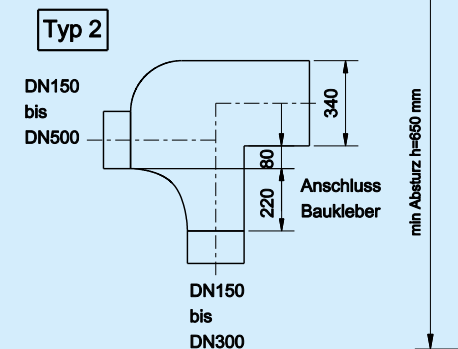
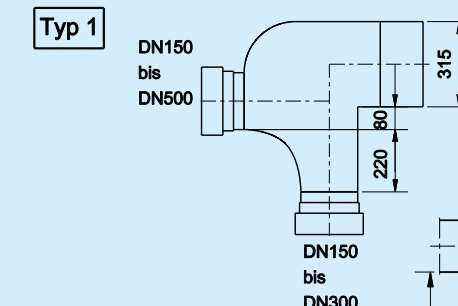
IPK 150 - LI
Zulauf
links vom Absturzrohr



The IPK enables connections up to a pipe outer diameter of OD 180mm. Its special construction causes a cyclone-like stream, which reduces the flow of energy of the sewage. The outlet has a diameter of DN160 mm.

Included in delivery : backdrop including seal, screws and wall plugs.

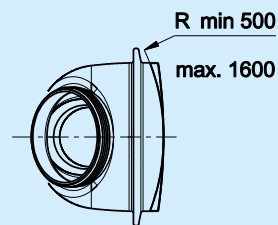
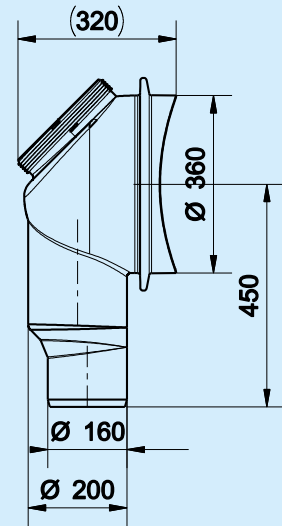
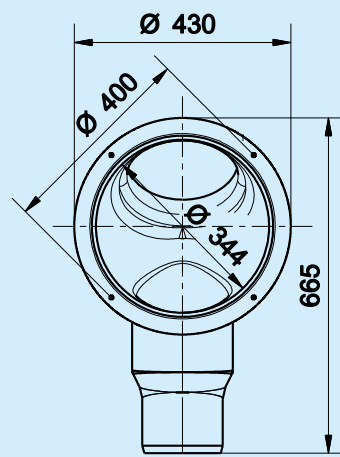
PIPE-HEAD FOR OUTSIDE DROP STRUCTURE



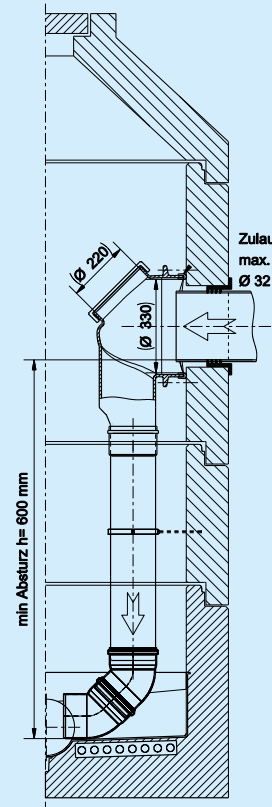
The Pipe-head distinguishes itself from the other traditional drop structures through special advantages. Its unique design makes it possible to connect pipes retrospectively. The stream favorable shape and the connection possibilities against the flow direction of the main channel are further advantages. The deflector prevents the wastewater from overflowing into the interior of the manhole. The maintenance access makes the cleaning easy.

Included in delivery : Pipe-head only (not included are the seals corresponding to the pipe type to be connected)

INSIDE DROP Type 1



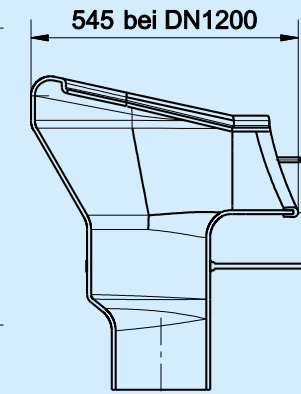
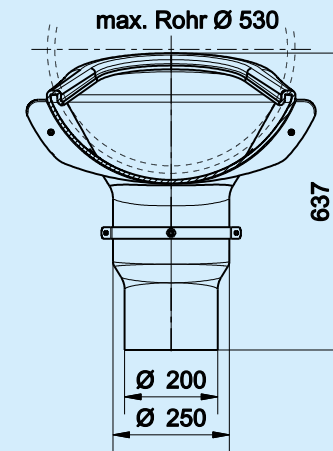
R-Cut according to customer's request to straight wall



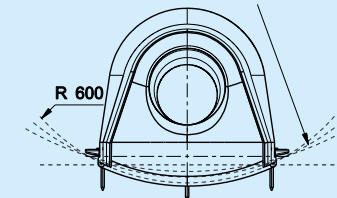
The Inside Drop Type 1 enables connections up to a pipe outer diameter of OD 330 mm. The maintenance / inspection access (220 mm) is closed with a screw-on cover. The outlet offers two different diameters, either of OD 160 mm or OD 200 mm. The radius is cut at the factory to match the manhole wall.

Included in delivery : backdrop including seal, screws and wall plugs

INSIDE FUNNEL 500

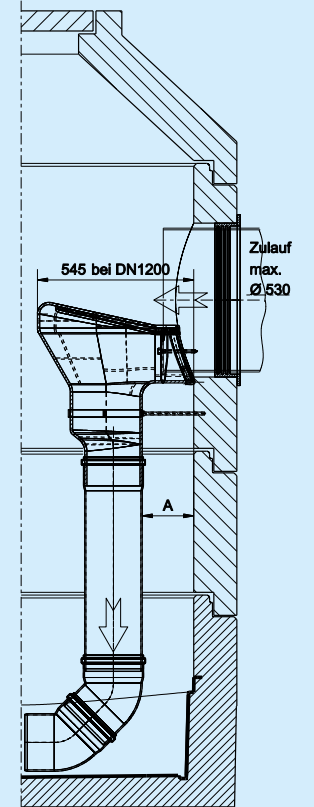


Cut according to customer's request R min. 600 R max. 1600 to straight wall

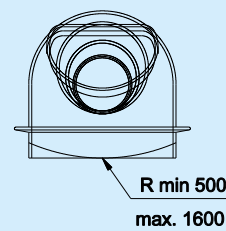
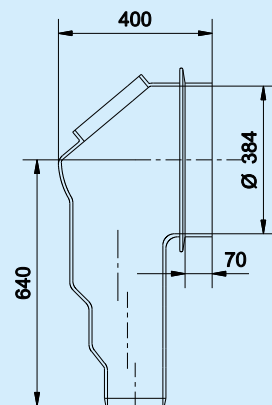
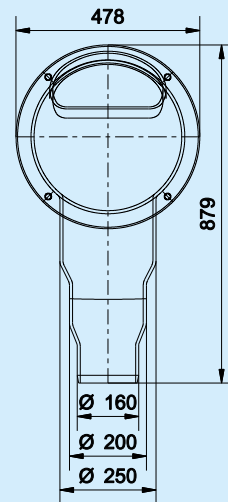


The INSIDE FUNNEL 500 enables connections up to an outer diameter of OD 530 mm. The outlet offers two different diameters, either of OD 200 mm or OD 250 mm. The radius is cut at the factory to match the manhole wall.

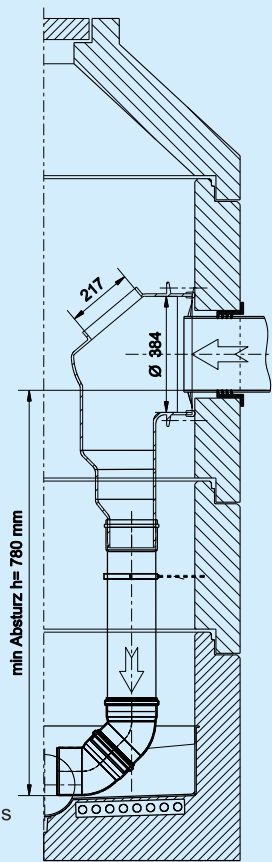
Included in delivery : backdrop including seal, screws and wall plugs Stainless steel pipe clamp DN 250



INSIDE DROP Type 2



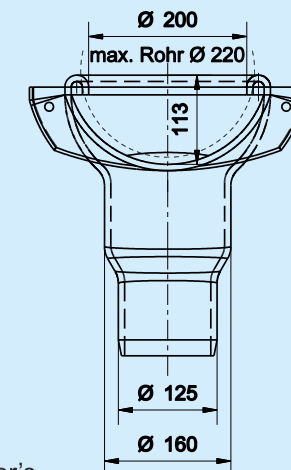
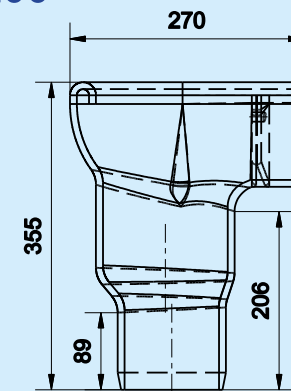
R-Cut according to customer's request to straight wall



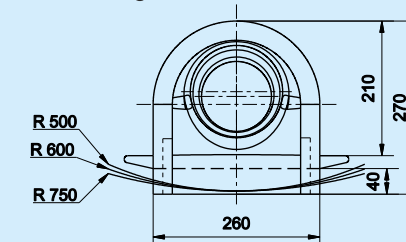
The Inside Drop Type 2 enables connections up to a pipe outer diameter of OD 375 mm. The maintenance / inspection access (approx. 288 x 221 mm) is not closed. The outlet offers three different diameters, either of OD 160 mm, OD 200 mm or OD 250 mm. The radius is cut at the factory to match the manhole wall.

Included in delivery : backdrop including seal, screws and wall plugs

INSIDE FUNNEL 200



Cut according to customer's request R min. 500 to straight wall



Schnitt nach Kundenwunsch R min. 500 bis gerade Wand

The INSIDE FUNNEL 200 enables connections up to a pipe outer diameter of OD 220 mm. The outlet offers two different diameters, either of OD 125 mm or OD 160 mm. The radius is cut at the factory to match the manhole wall.

Included in delivery : backdrop including seal, screws and wall plugs

